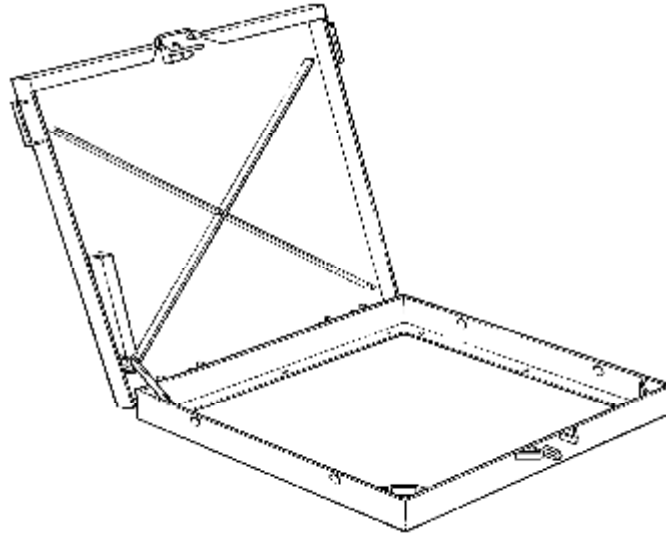


Access Hatch

Ground – Hinged Upstand – Single Door



FEATURES

- ✓ Upstand design - low profile - minimal visual impact
- ✓ High performance construction designed to fit onto ground curb upstands.
- ✓ Available in Galvanised Mild Steel / Stainless Steel / Aluminium / Cromweld Stainless Steel.
- ✓ Lid mounted compression seals
- ✓ “Zeflok” – safety locking stay with padlock “stay-open” provision
- ✓ Combination safety grid / ladder extension with integral hand grip
- ✓ Comprehensive range of colours and finishes
- ✓ Spring assisted hinged lid suitable for one-man operation, in compliance with Manual Handling Operations Regulations 1992
- ✓ Standard padlock locking mechanism
- ✓ Standard side lifting handles
- ✓ Loading conforms to EN 124 – Class A15 / BS497 Class C – Pedestrian Loading

OPTIONS

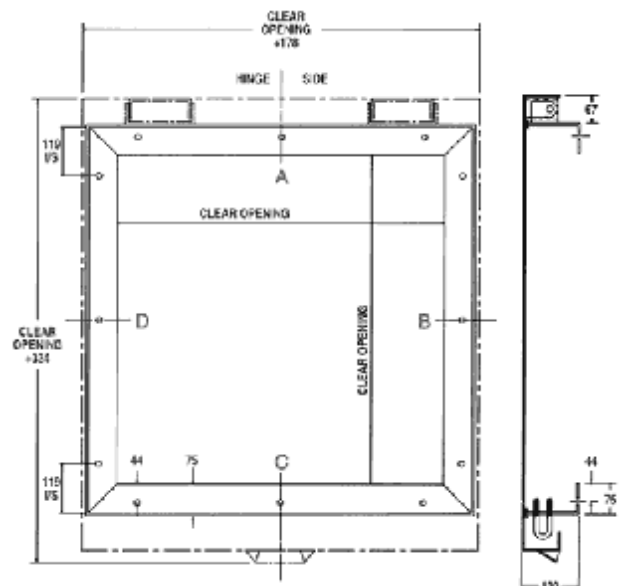
- ✓ Zefyr Cyber-Lock fully PC programmable wireless / telephone audit control.
- ✓ Slam latch with internal release
- ✓ Replaceable fine mesh air vents, fitted and concealed by the closed lid to prevent interference
- ✓ Anti-slip lid
- ✓ Chequer plate lid
- ✓ Magnetic contact
- ✓ Coating options include – polyester powder coat, galvanised (steel)
- ✓ Pre-formed galvanised steel upstand – “Additional Security” and “Same Day Completion”
- ✓ Drain holes built in to customer individual requirements.

TECHNICAL DATA

DIMENSIONS & WEIGHTS

Dimensions mm		Apprx Weights kg cover(safety grid)	
Length	Width	Alum	M or S Steel
300	300	12	36
600	600	26 (+1.5)	76 (+4.0)
750	750	31 (+1.7)	92 (+5.0)
900	900	37 (+2.3)	110 (+7.0)
1000	1000	41 (+3.7)	123 (+8.0)

Standard clear opening dimensions
For other sizes contact Zefyr .



SPECIFICATION

(* Optional – complete / delete as appropriate)

Manufacturer

Zefyr -

Top Barn Business Centre, Holt Heath, Worcestershire, WR6 6NH UK

Tel +44 870 600 1356, Fax +44 870 600 1357 email mail@zefyrgroup.com

EN 124 – Class A15 / BS497 Class C - Pedestrian

Loading

Fully assembled, tested and palletised.

Configuration

“A” x “B” - to be specified -hinges on “longest side”.

Clear Opening

Construction

Fully welded construction

Lid and Body

* Aluminium / Mild Steel / 304 Stainless Steel / 316 Stainless Steel / Cromwell Stainless Steel

Seals

Lid mounted compression seals

Furniture

Hasp and staple fitted as standard. Padlock supplied by others.

* Slam latch with internal release

Lid Stay

“Zeflok” – safety locking stay with padlock “stay-open” provision

Ventilation

* Replaceable fine mesh air vents, fitted and concealed by the closed lid to prevent interference

Anti-Slip Lid

* Chequer plate / Anti slip paint / Anti slip tape

Safety Grid

* Safety grid designed to fold flat within the depth of the hatch when closed.

Fixings

* Supplied to suit

Ground Details

Curb upstand by others – Zefy optional supply Zefyr

Base Finish

* Mill finish aluminium / Mill finish stainless steel / Mild steel galvanised after manufacture BS EN ISO 1461:1999 – standard.

Colour Coating

* Colour and finish PPC / PVF2 to Zefyr Standard Colour / Gloss Level

Alarm

* Magnetic contacts